

NATURA D4/AQUARIUS 1.80

Water Purification System New Improved Design


Specifications

TECHNICAL MODEL	D4/AQUARIUS 1.80
TYPE OF MACHINE	Counter top
MOST COMMON USE	High vol. office & restaurant
COMPOSITION OF THE WATER FILTRATION SYSTEM	3-Stage filtration - Sediment, Chlorine, Taste, Odor (CTO) and UV
CONFIGURATION OF THE MACHINE	2 separate units consist of 1 filtration assembly (Aquarius) + 1 refrigeration/ carbonation unit (model Aquarius 1.80) connected through the 3/8 water supply tubing (included)
CO2 CYLINDER (not provided by Natura)	Sold separately - connected with a 1/4" JG tubing and pressure regulator (included) to the refrigeration/ carbonation unit
MATERIAL	Stainless steel body (AISI 430)
MAXIMUM COLD CAPACITY	80 Liters per hour
MAXIMUM FLOW CAPACITY	20 Liters per hour
AVG. TIME TO FILL A ONE LITER BOTTLE	15 Sec.
STANDARD OPER'G WATER SUPPLY PRESSURE PSI (BAR)-REGULATED WITH A PRESSURE REGULATOR (INCLUDED)	40 psi min. - 100 psi max. (2.75 - 6.9 bar)
ELECTRIC POWER CONSUMPTION (APPROXIMATE)	240 Watts Normal Oper'g/10 Watts Idle 340 Watts Carbonation Oper'g
ELECTRICAL (VOLTS/HERTZ/AMPS)	110-120V / 60HZ / 6 AMPS /Available in 220V
REFRIGERATION GAS	R134a

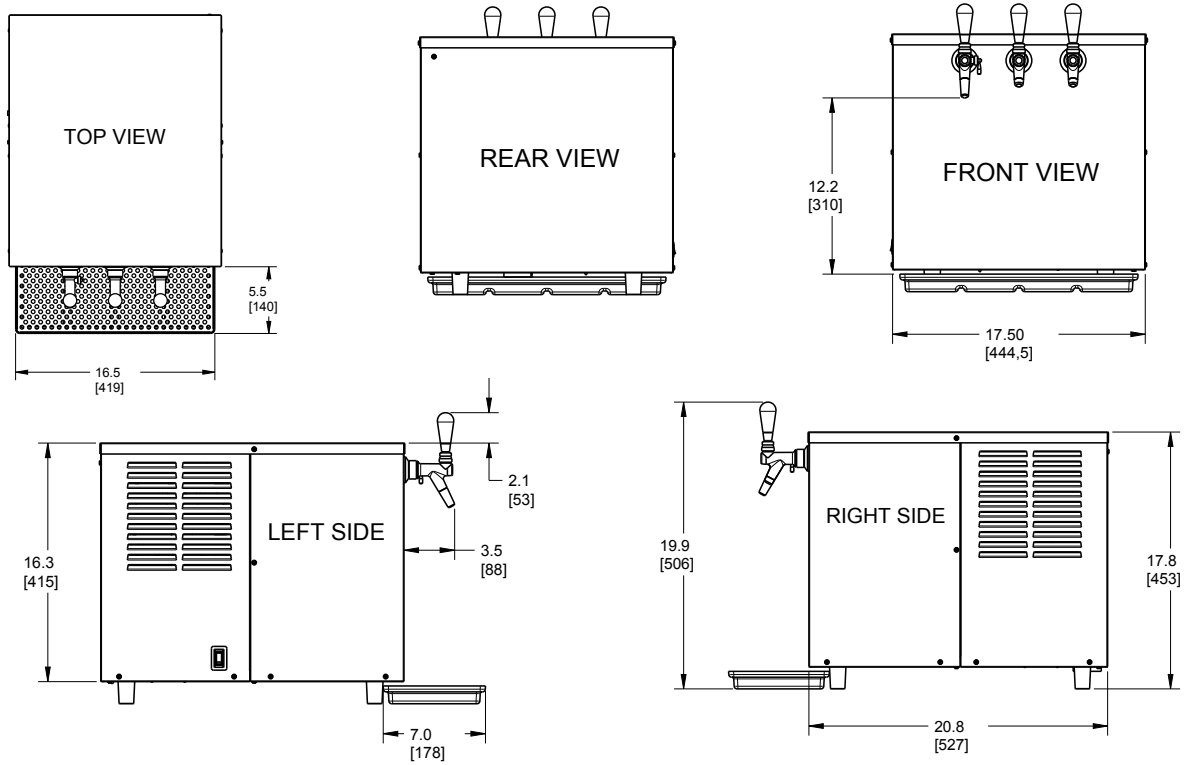


Standard Features

- Space Saver Design/No Visible Components
- Delivers a great tasting water: Chilled Sparkling, Chilled Still, Unchilled Still
- Components are self contained
- Well finished and detailed stainless steel parts

Dimensions	Refrigeration/ Carbonation Unit (NWSD):	Filtration System: (NWFS):
DEPTH	26.4" including drip tray	
WIDTH	17.50"	
HEIGHT	19.9" total height with faucets	
WEIGHT	75 lbs	
CERTIFICATIONS		

Refrigeration/Carbonation Unit D4/Aquarius 1.80



NOTE: IT IS RECOMMENDED TO HAVE THE FOLLOWING CLEARANCE AROUND AND ABOVE THIS UNIT - 2" SIDE, 2" BACK, 2" TOP